

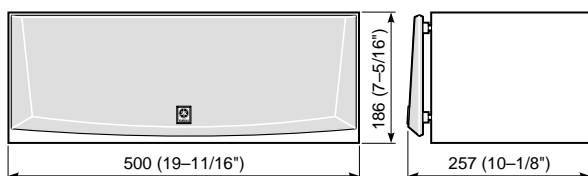
SPEAKER SYSTEM

NS-C5HX

SERVICE MANUAL

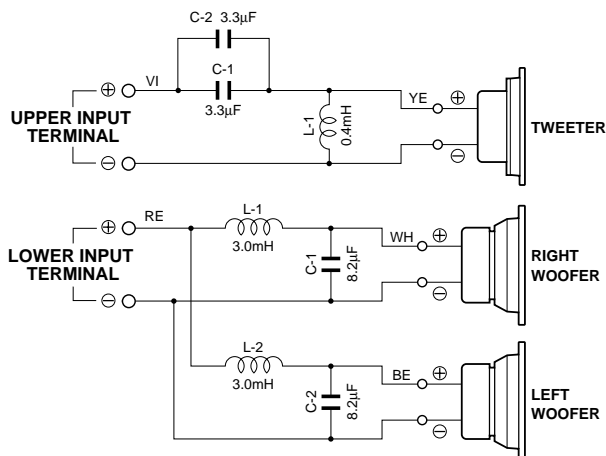
NS-C5HX

■ DIMENSIONS



Unit : mm (inch)

■ NETWORK CIRCUIT DIAGRAM



■ SPECIFICATIONS

Type 2-way 3-speaker acoustic suspension speaker system Magnetic shielding type
Driver 13 cm (5") cone woofer x 2 Wave guide horn 3 cm (1") dome tweeter
Impedance 6 ohms
Frequency Response 55 Hz to 50 kHz
Nominal Input 100 W
Maximum Input 300 W
Sensitivity 91 dB/2.83 V/m
Crossover Frequency 2.5 kHz
Input Terminal Screw/banana Bi-wiring type
Dimensions (W X H X D) 500 x 186 x 257 mm (19-11/16" x 7-5/16" x 10-1/8")
Weight 11.5 kg (25 lbs. 6 oz)

* Specifications subject to change without notice.



このサービスマニュアルは、エコマーク認定の再生紙を使用しています。
This Service Manual uses recycled paper.



A

B

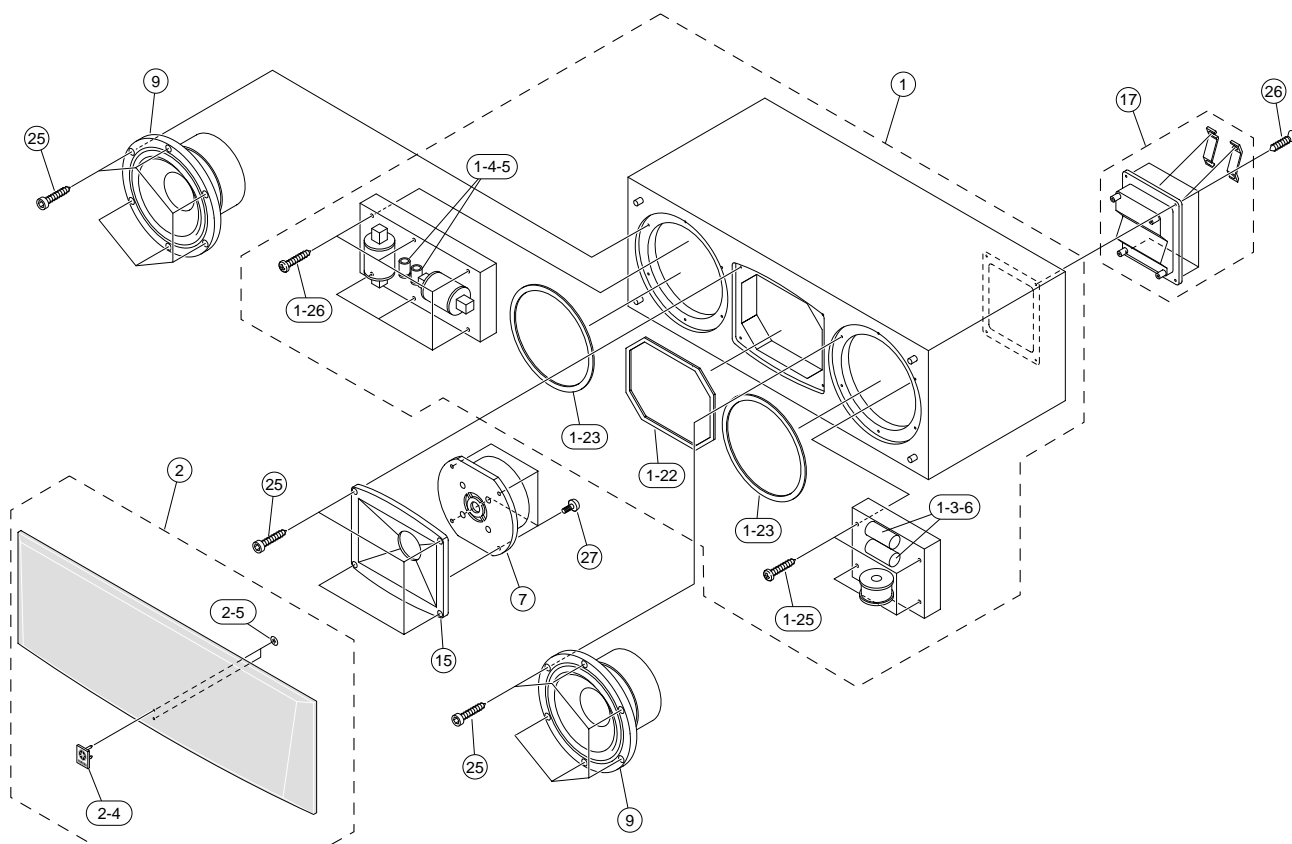
C

D

E

NS-C5HX

EXPLODED VIEW



Ref. No.	PART NO.	Description			Remarks	Markets
* 1	V7911400	CABINET ASS'Y			CH	
* 1-3-6	V7918500	POLYPROPYLENE FILM CAP	3.3uF	250V		
* 1-4-5	V7979700	ELECTROLYTIC CAP	8.2uF	100V		
* 1-22	V7905700	PACKING				
* 1-23	V7900000	PACKING				
* 1-25	V7978600	BIND HEAD TAPPING SCREW	4x40	MFZN2BL		
1-26	VF573000	BIND HEAD TAPPING SCREW	4x25	MFZN2BL		
* 2	V7911900	FRONT GRILLE ASS'Y				
2-4	V2192200	EMBLEM	YAMAHA			
2-5	VP161000	PUSH NUT	SPN1.5			
* 7	X0310A00	DRIVER, TWEETER	2.5cm	6 50W	JA05V8	
* 9	X0307A00	DRIVER, WOOFER	13cm	12 50W	JA1366	
* 15	V7707200	ACOUSTIC GUIDE				
* 17	V7902000	SPEAKER TERMINAL	TST-S85J			
* 25	V7907100	HEXAGON SOCKET TAPPING SCREW	4x30	MFN133		
26	V5537900	OVAL HEAD TAPPING SCREW #1	3.5x16	MFZN2BL		
* 27	VA221600	BIND HEAD SCREW	4x10	MFZN2BL		

* New Parts